

## CV485P

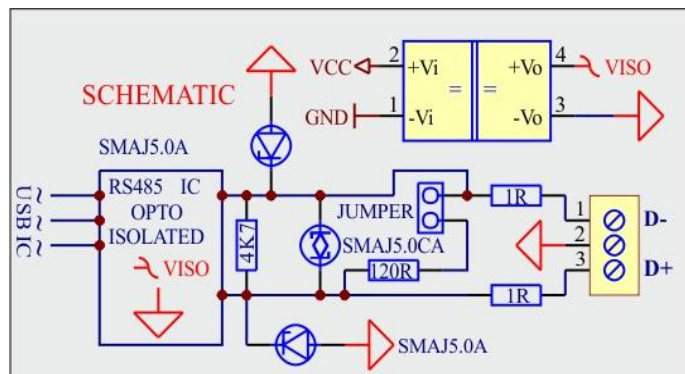


CV485P is the converter between USB and RS485 with optoisolated communication. Power for optocoupler and for IC is solved via DCDC converter.

Parameters		
Optoisolated	1 kV	
Line length	max 1200 m	Twisted pair
USB IC	FT230XS-R	
Connector USB	USB-A	
Connecting cable USB PC	USB2.0 A-M/A-F	Optionally. 0.5 ÷ 5.0 m
Channel	1	Optoisolated
Communication speed	max 115200 Bd	
Power from USB	max 0.2W	
Protective elements	Transil	See wiring diagram below
Indication	LED	According to the sticker
Dimensions with connector	66 x 25 x 24 mm	Without USB cable
RS485 connector	Pluggable 3P	3.81 mm
Test software terminal	ComTerSim	<a href="https://.ingsimon.sk/usbrs485/comtersim.zip">https://.ingsimon.sk/usbrs485/comtersim.zip</a>
Terminating resistor	120R	*
Used optocouplers	TLP2368-E-T	SMD

\* It is possible to insert the terminating resistor 120R into the RS485 after opening the box by loosening the two screws and inserting the jumper on the pin strip.

CV485P is delivered from the factory without the insertion of a jumper, the impedance resistance is according to the 4K7 scheme.



Warranty conditions: 2 years, except cases of damages due to improper use.